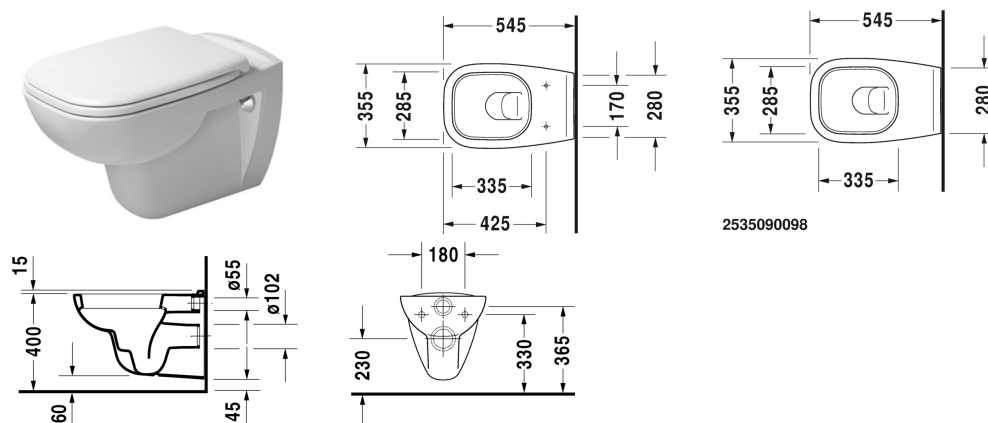


D-Code Toilet wall mounted # 253509..002

| < 355 mm > |



Toilet wall mounted	Dimension	Weight	Order number
washdown model, EWL class 1			
Colors			
00 White Alpin 20 HygieneGlaze (an antibacterial ceramic glaze that provides almost indefinite effectiveness)			
Variant			
♣ 4,5 l	355 x 545 mm	20.000 kilogram	253509..002
Infobox			
If pre-wall carrier not used, the fixing # 006500 is recommended			
Accessory for ceramics			
Fixing for wall mounted bidet and wall mounted toilet	Ø 12 x 180 mm	0.200 kilogram	006500
Accessory			
Noise reduction gasket for wall mounted toilet		0.300 kilogram	005020
Suitable products			
Toilet seat and cover hinges plastic, with soft closure,			006739
Toilet seat and cover hinges stainless steel, without soft closure,			006731

All drawings contain the necessary measurements which are subject to standard tolerances. They are stated in mm and are non-binding. Exact measurements, in particular for customised installation scenarios, can only be taken from the finished ceramic piece.