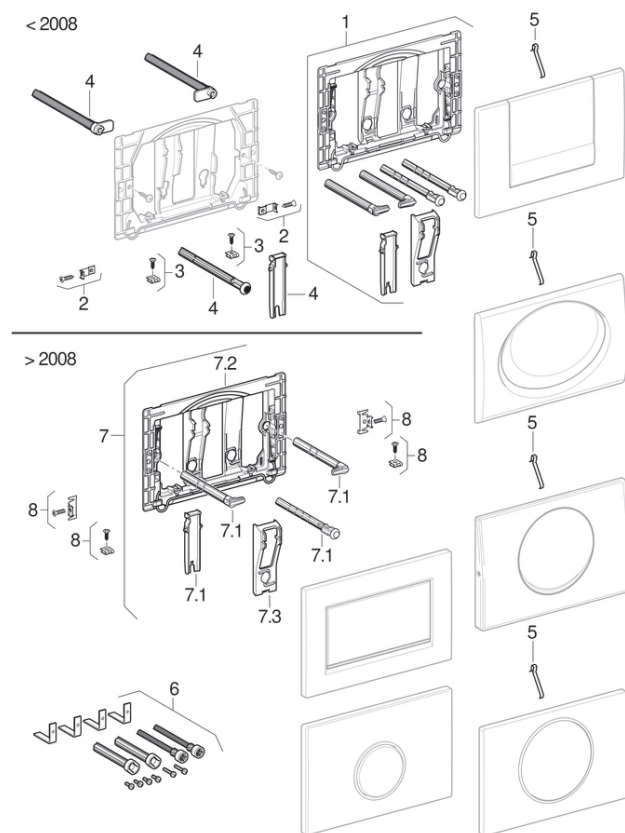


**Geberit actuator plate Sigma, Rumba, Mambo, Tango, for stop-and-go flush**

2000 -



**Characteristics**

Year of manufacture from	2000
Dimensions / Design	24.6 x 16.4 cm
Model name	Sigma30

**Valid for articles**

115.750.11.1	115.750.21.1	115.750.46.1	115.760.11.1
115.760.21.1	115.760.45.1	115.760.46.1	115.893.45.1
115.750.KB.1	115.758.KH.1	115.758.KH.5	115.758.KJ.1
115.758.KJ.5	115.758.KK.1	115.758.KK.5	115.758.KL.1
115.758.KL.5	115.758.KM.1	115.758.KM.5	115.758.KN.1
115.758.KN.5	115.758.SN.5	115.760.DT.1	115.760.GM.1
115.760.HC.1	115.760.KA.1	115.787.SN.5	115.893.KJ.1
115.893.KX.1	115.893.KY.1		

**Related spare parts**

- Geberit Sigma concealed cistern 12 cm (UP320)
- Geberit Sigma concealed cistern 12 cm (UP300)
- Overview Geberit actuator plates and Geberit cover plates for Sigma concealed cisterns
- Geberit Sigma concealed cistern 8 cm, front actuation (UP720)

#	Art. no.	Description	Remarks
2	241.093.00.1	Fastening set for Geberit cover plate Daneline (2 pc.)	
4	241.875.00.1	Actuator rod set for Geberit flush plate	Until the end of 2007
5	813.514.00.1	Spring for Geberit flush plate	
6	240.938.00.1	Extension set for Geberit Sigma, Geberit Omega and Geberit Kappa concealed cisterns	
7	241.873.00.1	Conversion set for Geberit flush plates Daneline	Suitable for Mambo
7.1	241.874.00.1	Actuator rod set for Geberit flush plate	From 2008
7.2	241.876.00.1	Mounting frame for Geberit flush plates of the Sigma series	From 2008
7.3	241.878.00.1	Bearing of rocker, for Geberit flush plate Mambo	From 2008
8	241.877.00.1	Fastening set for Geberit flush plates Sigma (2 pc.)	For tool-free mounting frame