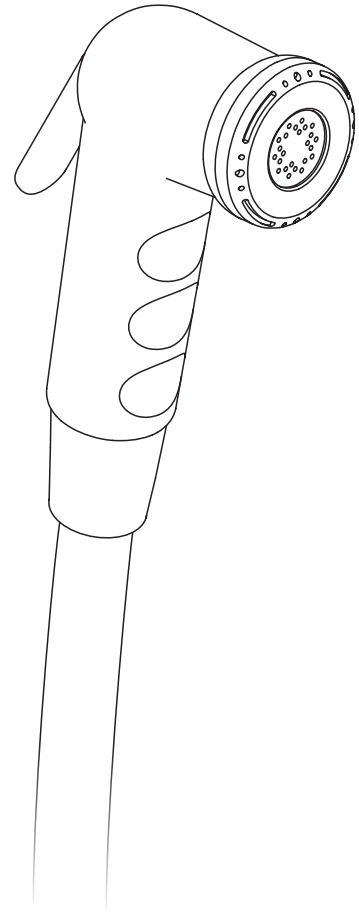
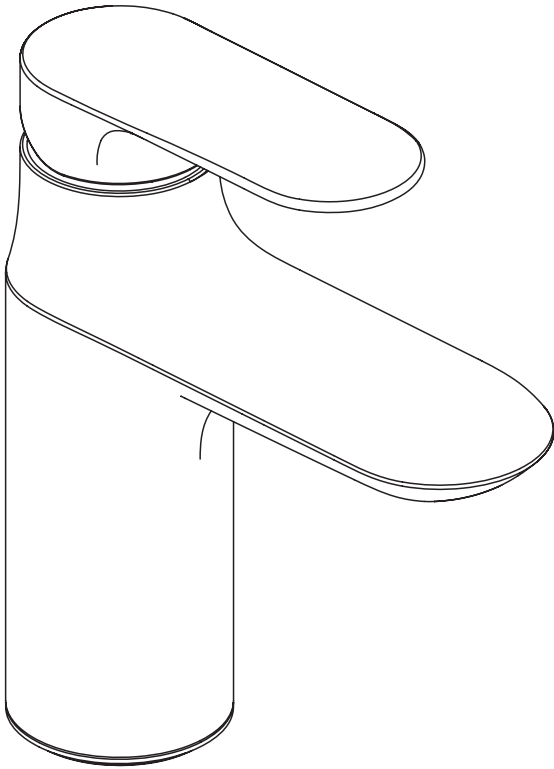
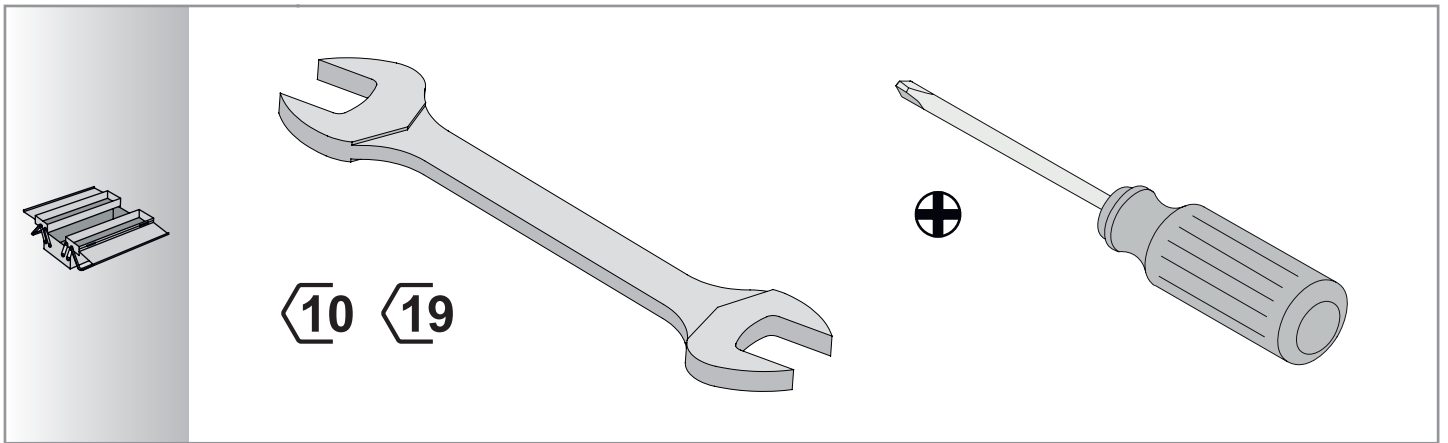

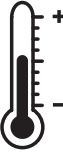


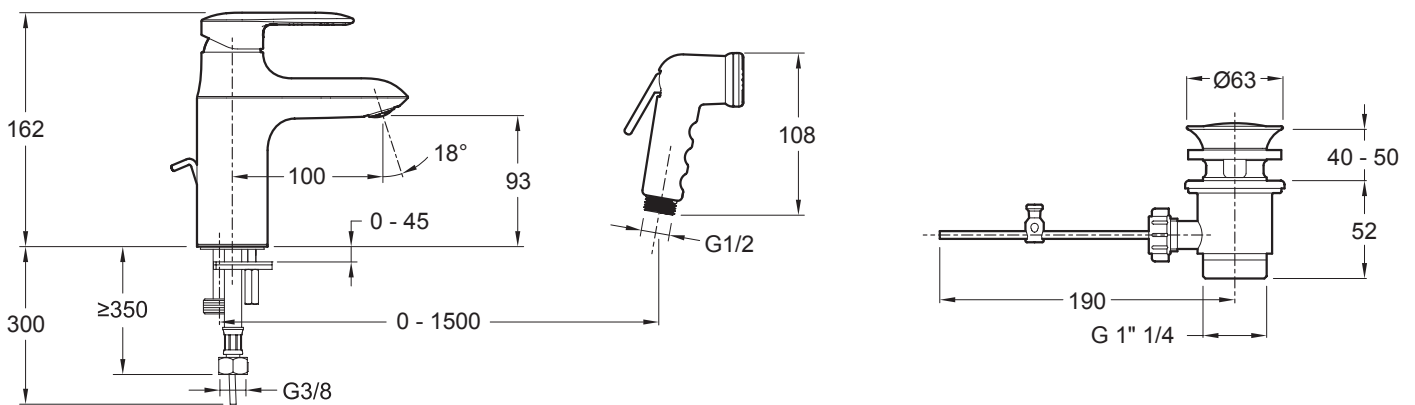
Jacob Delafon

KUMIN





	P	Bar	0.5 < 3 < 6
	T	°C	55 < 60 < 65



E99465-**

1

