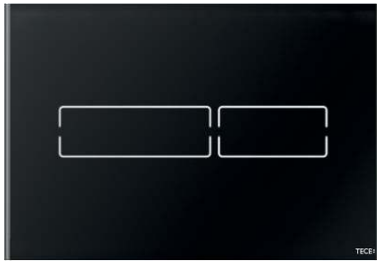


TECE data sheet

Status as of 13.07.2018



TECElux Mini flush plate with electronic touchless actuation

Article number: 9240961

Colour: Black glass

Exhibition samples: Yes

DU 1: 1 pc.

Description:

Electronic flush plate with touch-free actuation for TECE standard cisterns (installation depth 13 cm) with front actuation and actuation height of approx. 1 m (centre flush plate). Flat glass actuation including mounting materials and actuation motor for dual-flush. Suitable for flush-mounted installation. Compatible with insert chute for cleaning tablets.

Dimensions: (W x H x D): 220 x 150 x 8 mm

Function of the electronics:

The sensor detects when a person is approaching the toilet, and only illuminates the flush buttons then. The flush actuation is touch-free or by touching the button area. By programming with the TECElux Mini programming remote control (order no. 9240971), the electronics can be adjusted to individual requirements.

Programmable functions (with programming remote control):

- Sensor recognition field
- Hygiene flush
- Actuation time
- Safety flush
- Display illumination brightness

Sales data:

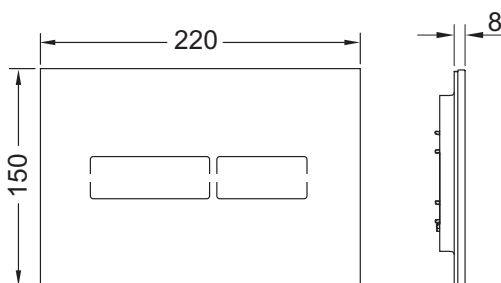
Shorttext 1: TECElux Mini, glass, black

Commodity group: 904

Product group: 2009040250

Discount group: 3

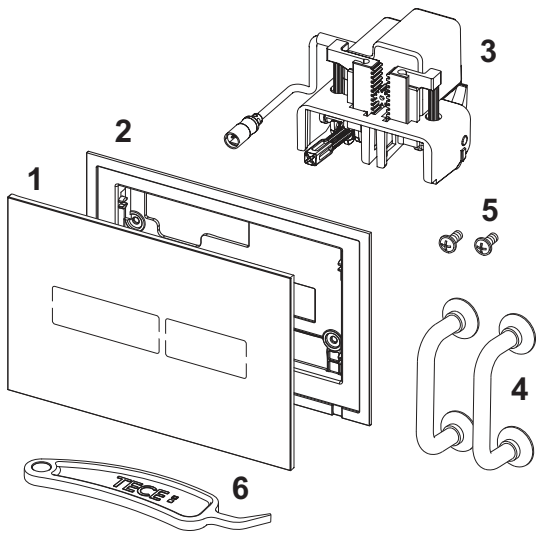
Dimensional drawings:



TECE data sheet

Status as of 13.07.2018

Spare parts:



- | | | |
|---|---------|---------------------------------|
| 1 | 9820370 | Cover plate black glass |
| 2 | 9820397 | Support frame |
| 3 | 9820284 | Actuation motor |
| 4 | 9820180 | Bow-type handles |
| 5 | 9820263 | Fastening screw |
| 6 | 9820390 | Dismounting and programming key |