

## TECE data sheet

Status as of 11.07.2018

---



### TECEplanus urinal electronics, 12 V mains

Article number: 9242355

Colour: Silky matte white

Exhibition samples: Yes

DU 1: 1 pc.

DU 2: 10 pc.

---

### Description:

Fine assembly set for contactless infrared flush system.

Suitable for TECE urinal flush valve housing.

Usable from 0.5 bar minimum flow pressure.

Flush time, water-saving stop function, cleaning mode, pre-flush and hygiene flush can be set.

Consisting of:

- Solenoid valve with large dirt filter
- Screw-down metal cover with sensor field
- Mounting material
- Programming key
- Mains operated via external 230/12 V transformer (not contained in scope of delivery)

Dimensions (W x H x D): 100 x 120 x 12 mm

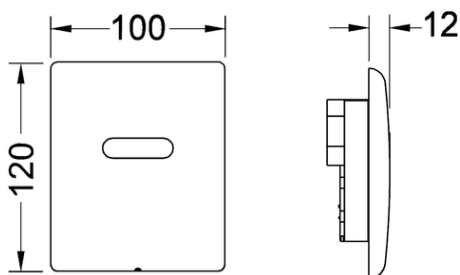
---

### Sales data:

Shorttext 1: TECEplanus urinal electronics  
Shorttext 2: 230/12 V mains electr., silky mat white  
Commodity group: 904  
Product group: 2009040030  
Discount group: 3

---

### Dimensional drawings:

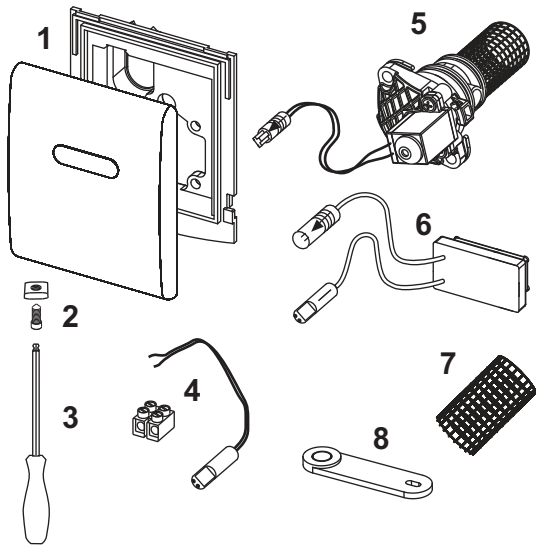


# TECE data sheet

Status as of 11.07.2018

---

## Spare parts:



- |   |         |  |
|---|---------|--|
| 1 | 9820098 | Cover plate, silk matte white                      |
| 2 | 9820097 | Fastening screw                                    |
| 3 | 9820091 | Hollow hexagon wrench                              |
| 4 | 9820094 | Mains connection adapter                           |
| 5 | 9820089 | Urinal cartridge electronic for flushing valve U 1 |
| 6 | 9820088 | Infra-red sensor 12 V mains                        |
| 7 | 9820090 | Gate bar   |
| 8 | 9820080 | Programming key                                    |